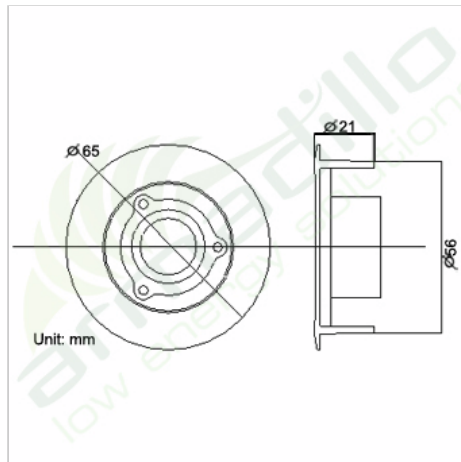


# LED Down Light Topaz 3W Fish Eye



Armadillo's dimmable 3W LED provide huge energy efficiency's for your business, to create a different lighting scene....

Design is everything in for certain applications, our TOPAZ fitting provides great commercial design with the best thermal properties to support a good looking and trouble free life.

Carbon reduction, or simply saving money and helping our environment, Armadillo dimmable LED range covers cost, or conscious aims for us all. Using the latest CREE based LED technology, with superbly efficient and aesthetic thermal chassis, we offer product working >50,000hrs, no ongoing maintenance headaches and a quick return on investment! With 8 different colour renders from 7000K Cool to 2700K Warm white, you can ensure we have the right ambience in any location for you.

Lamp Type	LED Down Light – 3W
Base Type	3PIN
Input Voltage	90-260V AC
Output Power	3W
Total length	21mm
Diameter	65mm
View Angle	60° degree
Light Source	1x3W Cree LED
Operating Temp.	-20°C ~ +50°C
Body Temp.	< 55°C
LED Output Current	
Colour Temp.	Warm White, Cool White
Net Weight	56g
Aluminium Housing	
No UV or IR Radiation	
DIMMABLE	YES
Safety Assurance	CE, Rohs
<b>DIMMABLE</b>	<b>YES</b>
Colour	ANY

Product Code **TOPAZ 3W FISH EYE**

