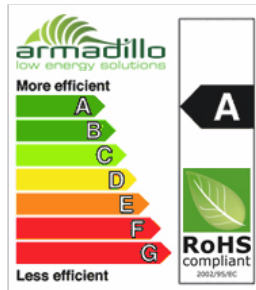
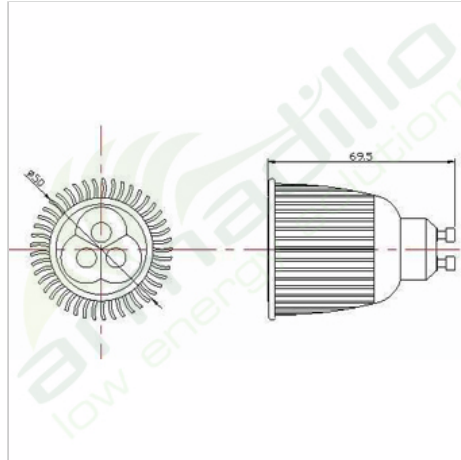
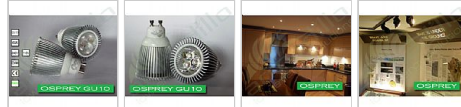


LED 6W GU10 Replacement for 50W Halogen



Armadillo's semiconductor experience makes simple sense of Dimmable technology, *without the need for an external driver*, all within the proven technology of the Armadillo lamp !!

Carbon reduction, or simply saving money and helping our environment, Armadillo Lamp replacement range covers cost, or conscious aims for us all. Using the latest CREE based LED technology, with superbly efficient and aesthetic thermal chassis, we offer product working >50,000hrs, no ongoing maintenance headaches and a return on investment with energy savings >85%, based on a 9hour day, of under 12 months! With 8 different colour renders from 7000K Cool to 2700K Warm white, you can ensure we have the right ambience in any location for you.

BULB TYPE	GU10 3X2W-2
BASE TYPE	GU10
INPUT VOLTAGE	85-260V AC
INPUT POWER	5.6W
OUTPUT POWER	4.2W
TOTAL LENGTH	68.5mm
BEAM ANGLE	30/45degrees
REFLECTOR EFFICIENCY	85%
LIGHT SOURCE	3X2W Cree LED
LED OUTPUT CURRENT	460mA
BODY TEMPERATURE	<55°C
LED WORKING TEMP.	-20°C - 50°C
COLORS	Warm White; Cool White
NET WEIGHT	88g
ALUMINIUM HOUSING	
NO UV OR IR RADIATION	
SAFETY ASSURANCE	CE, Rohs
DIMMABLE	YES

Product Code **OSPREY 6W GU10**